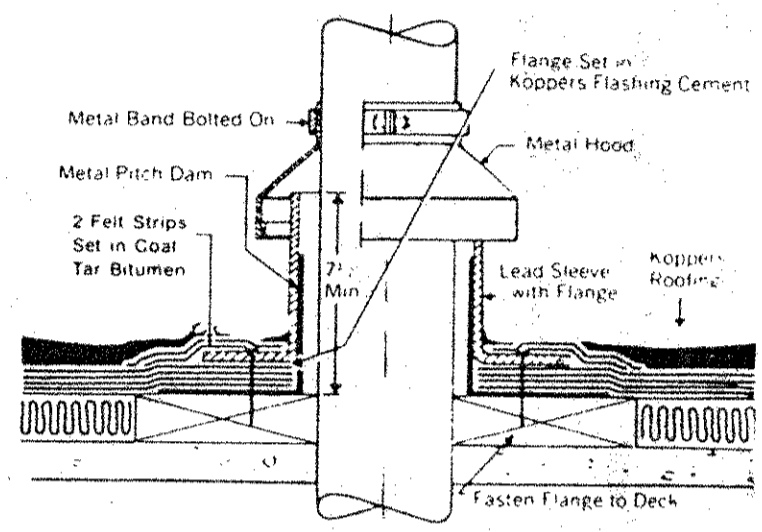


ROOF PLAN OF PENTHOUSE

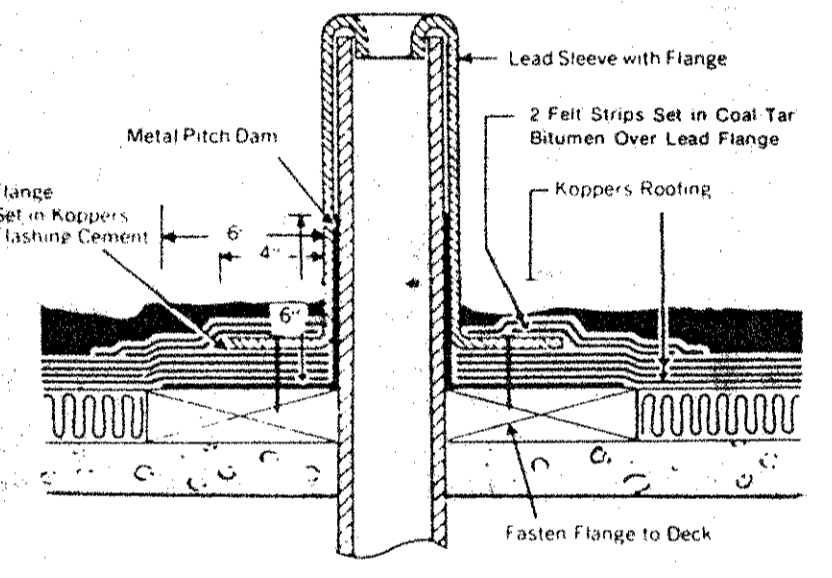
2 FLASHING DETAIL
10 N.T.S.

1 PARAPET/WALL GAP DETAIL
10 N.T.S.

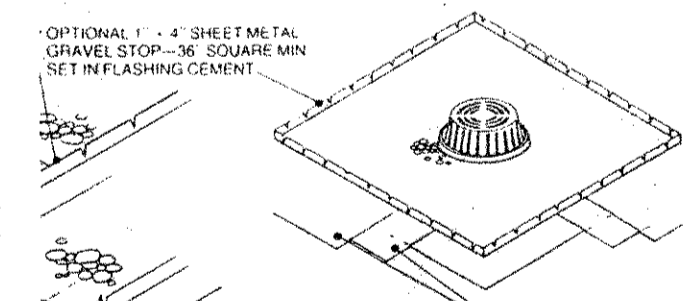
2 RELIEF JOINT DETAIL
10 N.T.S.



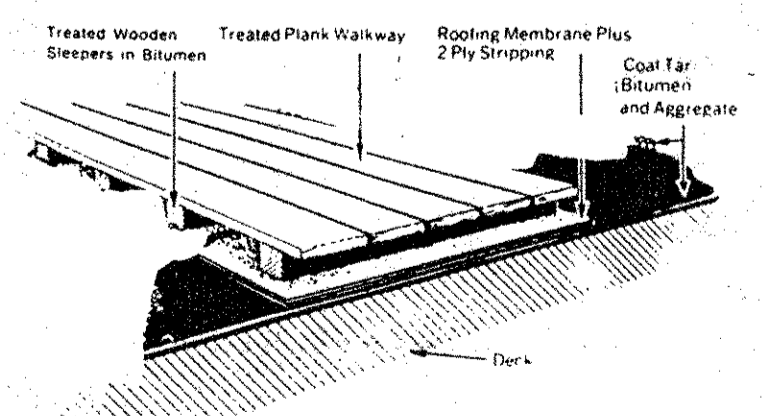
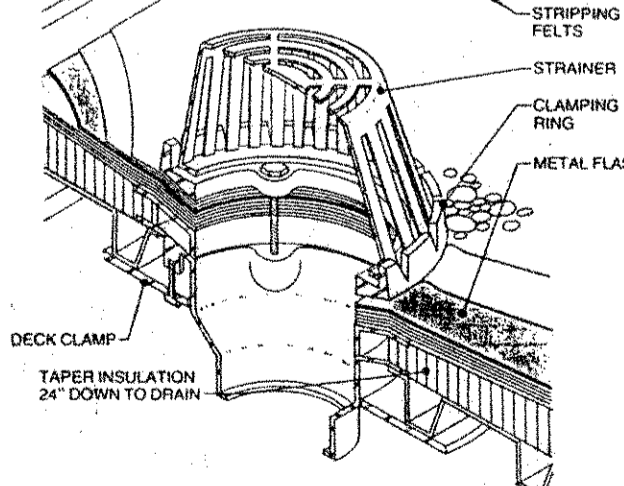
4 MECHANICAL PIPING DETAIL
10 N.T.S.



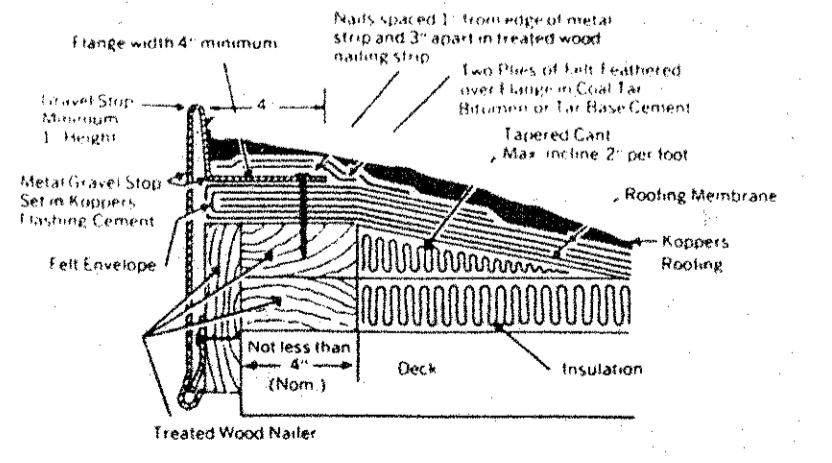
3 VENT STACK DETAIL
10 N.T.S.



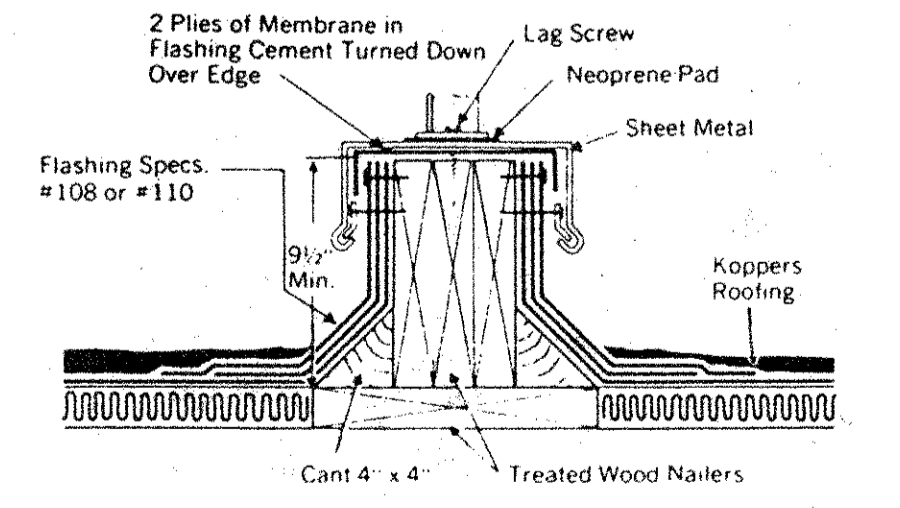
6 ROOF DRAIN DETAIL
10 N.T.S.



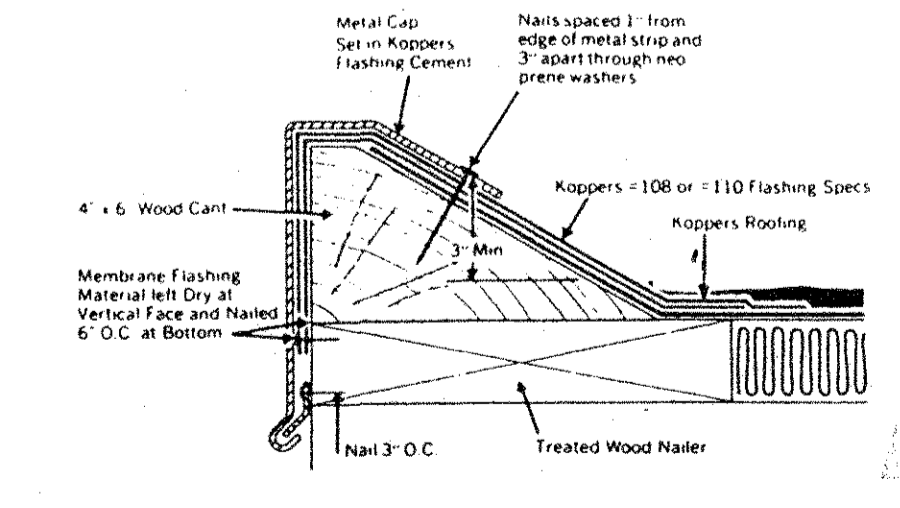
7 WOOD WALKWAY DETAIL
10 N.T.S.



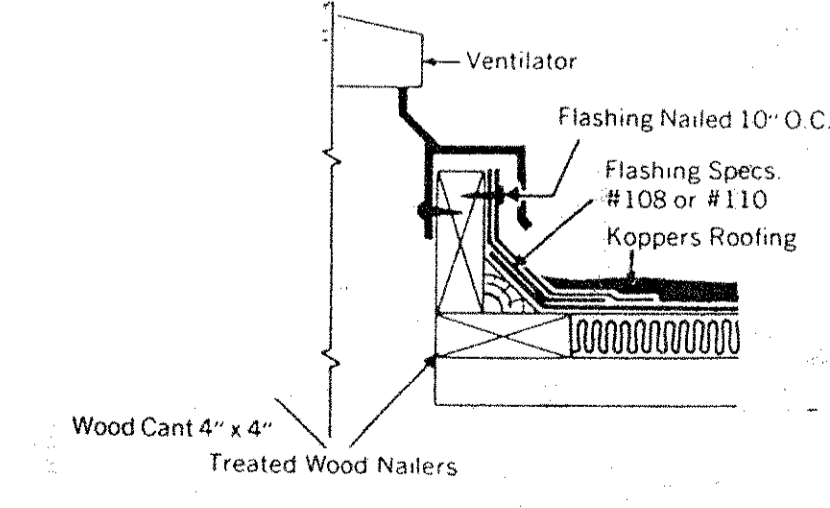
8 TAPERED CANT DETAIL
10 N.T.S.



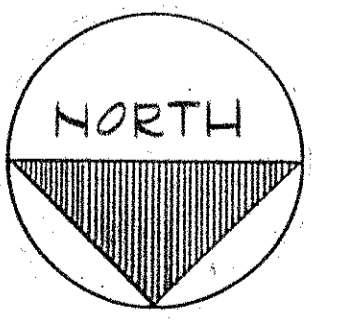
9 EQUIPMENT SUPPORT DETAIL
10 N.T.S.



10 RAISED EDGE DETAIL
10 N.T.S.



11 ROOF OPENING DETAIL
10 N.T.S.



revisions	drawn by	app'd by	date
ISSUED 7.1.85			

ARCHITECT
GARRY KEARNS ARCHITECT P.C.
 545 CONGRESS STREET
 TROY, NEW YORK 12180

SEAL
[Signature]

SEAL

DEVELOPER
HISTORIC REDEVELOPMENT ASSOCIATES
 1 STEUBEN PLACE
 SECOND FLOOR
 ALBANY, NEW YORK 12207

designed by *ESF*
 drawn by *MG*
 checked by *EE*
 approved by *ESF*
 scale *AS NOTED*
 date *7.1.85*

THE KENMORE PROJECT
 NORTH PEARL STREET ALBANY NEW YORK

07VENTH FLOOR PLAN & ROOF PLAN

sheet number
10A
 drawing number